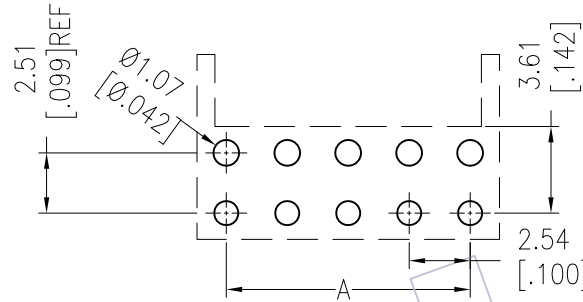
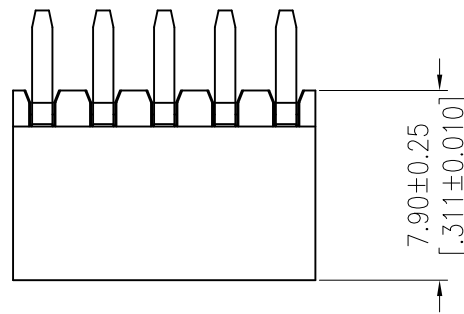


HSF

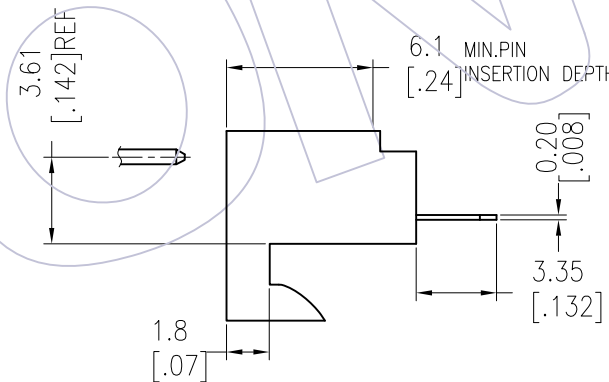
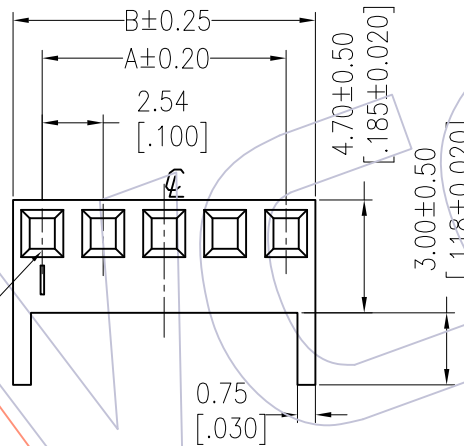
NOTES:

Current Rating:2.5AMP AC/DC
 Voltage Rating:250V AC/DC
 Contact Resistance:20mΩ max
 Withstand Voltage:1000V AC/minute
 Insulation Resistance:1000MΩ min
 Operation Temperature:-25°C to +85°C

Contact Material:Phorphos bronze
 Contact plating:Sn Over Ni
 Insulator Material:PA66 UL94V-0



Recommended P.C.B Layout(Top Side)
 (PCB BOARD TOLERANCE±0.05)



Dimensional & Ordering Information:

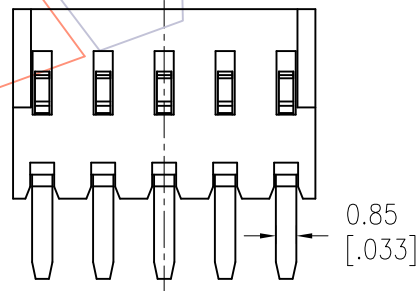
Circuit	Part No.	Dimension	
		A	B
02	WF25411-WS02XX1	2.54	4.98
03	WF25411-WS03XX1	5.08	7.52
04	WF25411-WS04XX1	7.62	10.06
05	WF25411-WS05XX1	10.16	12.60
06	WF25411-WS06XX1	12.70	15.14
07	WF25411-WS07XX1	15.24	17.68
08	WF25411-WS08XX1	17.78	20.22
09	WF25411-WS09XX1	20.32	22.76
10	WF25411-WS10XX1	22.86	25.30
11	WF25411-WS11XX1	25.40	27.84
12	WF25411-WS12XX1	27.96	30.38
13	WF25411-WS13XX1	30.48	32.92
14	WF25411-WS14XX1	33.02	35.46
15	WF25411-WS15XX1	35.56	38.00
16	WF25411-WS16XX1	38.10	40.54
17	WF25411-WS17XX1	40.64	43.08
18	WF25411-WS18XX1	43.18	45.62
19	WF25411-WS19XX1	45.72	48.16
20	WF25411-WS20XX1	48.26	50.70
21	WF25411-WS21XX1	50.80	53.24
22	WF25411-WS22XX1	53.34	55.78
23	WF25411-WS23XX1	55.88	58.32
24	WF25411-WS24XX1	58.42	60.86
25	WF25411-WS25XX1	60.96	63.40

Ordering Information

WF 25411 - WS XX X X 1



CIRCUIT 1



REV	DATE	MODIFICATION DESCRIPTION	CHANGE	OPERATION		DRAW	DATE	SCALE	FIT	PART NO.
				X.X	±0.40					
				X.XX	±0.25	丁文敏	2017.03.07	UNIT	mm	SEE TAB
				X.XXX	±0.15	CHECK	DATE	SIZE	A4	TITLE:
AO	2017.03.07	NEW		Angle	± 3'	APPROVE	DATE	SHEET	1/1	2.54mm WAFER 180°DIP
				DIM	TOL			PROJ.		Customer NO.



WCON-Dongguan
 Tel: +86 769 85358920
 Fax: +86 769 85358915
 E-mail: sales@wcon.com

WCON-Kunshan
 Tel: +86 512 57468408
 Fax: +86 512 57468468
 E-mail: salesks@wcon.com