

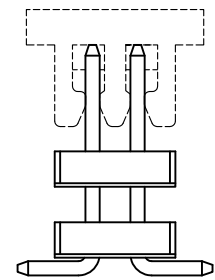
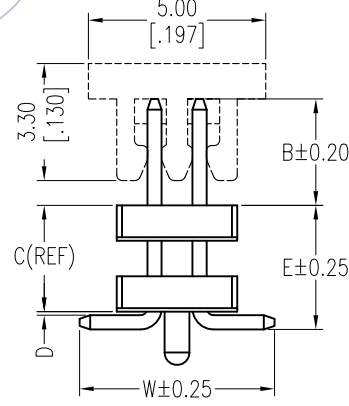
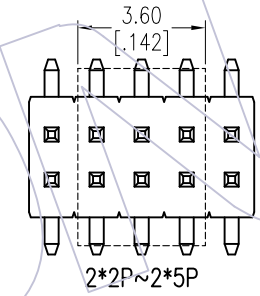
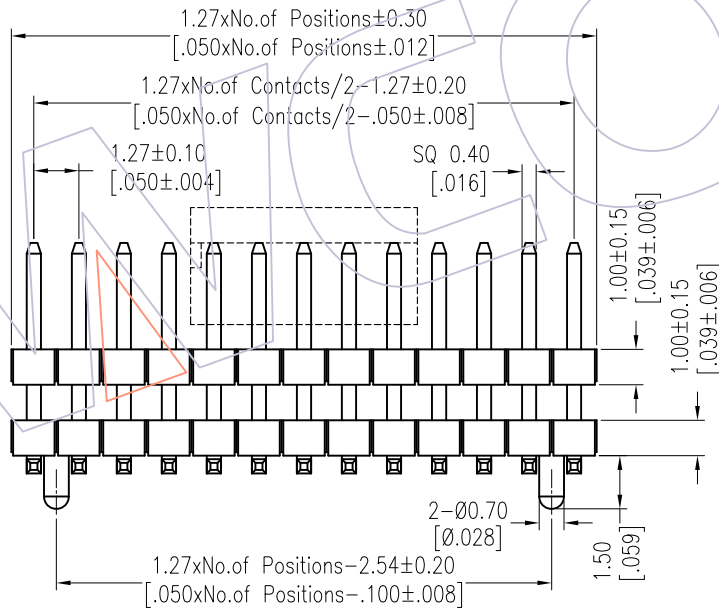
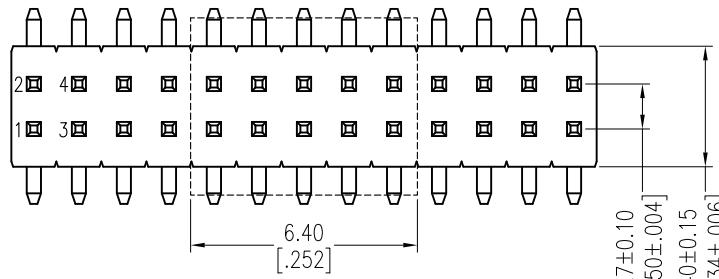
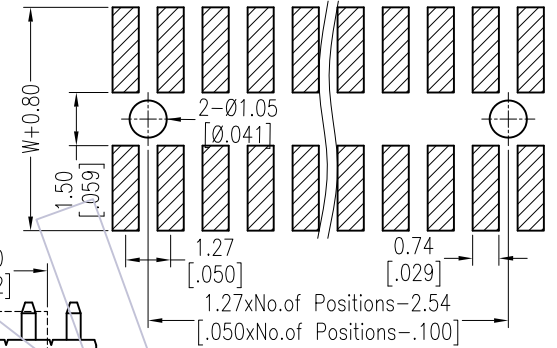
HSF

NOTES:

Rated Current:1.0AMP.
 Contact Resistance:20mΩ Max.
 Withstand Voltage:500V AC/DC
 Insulation Resistance:1000MΩ Min.
 Operation Temperature:-40°C to +105°C

Contact Material:Brass
 Contact Plating:Au or Sn Over Ni
 Insulator Material:PA9T+33%G.F UL94V-0 BK

Recommended P.C.B Layout (Top Side)
 (PCB BOARD TOLERANCE±0.05)



Ordering Information

1310-22 XX XX M XXX C R XX

No.of Pins Per Row:02~50	Contact Plating G0=Gold Flash G3=10u"Gold G4=15u"Gold G5=30u"Gold S0=Gold Flash/Tin S3=10u"Gold/Tin S4=15u"Gold/Tin S5=30u"Gold/Tin SN=Tin SM=Matte Tin	Pin Length L=B+C+D+ $\frac{W-1.27}{2}$	Insulator C=PA9T	Series No. 01-99	Packing A=Tray T=Tube P=Tube+CAP R=Tape&Reel+CAP
-----------------------------	---	---	---------------------	---------------------	--

Item	Pin Length	W	D	B	E	Mating
Standard	--	5.50	0.10	1.90	--	2321
	--	5.50	0.10	3.00	--	2334
	--	5.50	0.10	4.00	--	2344
Alternate						

OPERATION	DRAW	DATE	SCALE	Fit	PART NO.
x.X ±0.40	William Chen	2018/01/12	UNIT	mm [inch]	1310-22XXXXMXXXCXXX
x.XX ±0.25	CHECK	DATE	SIZE	A4	TITLE:
x.XXX ±0.15	APPROVE	DATE	SHEET	1/1	1.27 Pin Header, DUAL ROW, SMT, DOUBLE PLASTIC, H=1.0
Angle ± 3'			PROJ.		Customer NO.
DIM TOL					

A1	2018/01/12	MODIFY PART NO.	CHANGE
A0	2012/03/13	NEW	CHANGE
REV	DATE	MODIFICATION DESCRIPTION	CHANGE

WCON

Http: www.wcon.com

WCON-Dongguan Tel: +86 769 85358920 Fax: +86 769 85358915 E-mail: sales@wcon.com	WCON-Kunshan Tel: +86 512 57468408 Fax: +86 512 57468468 E-mail: sales@wcon.com
---	--